



# UR12e

## Technical specification

Our most versatile robot, the UR12e delivers an impressive payload of 12.5 kg and 1300 mm reach, making it ideal for a wide range of applications.

Today, more than 100,000 UR collaborative industrial robots have been delivered to customers across industries and around the world. The e-Series of cobots brings incredible flexibility and unparalleled ease of use to your application.

Updated May 2025.  
Copyright © 2025 by Universal Robots A/S. All rights reserved.

### Features

IP Classification	IP54
Noise	< 65 dB(A)
Arm mounting	Any orientation
<b>I/O Ports at tool flange</b>	
Digital In	2
Digital Out	2
Analog In	2
Power supply voltage	12/24 V
Power supply	2 A (Dual pin), 1 A (Single pin)

### Physical

Footprint	Ø190 mm
Materials	Aluminum, plastic, steel
Tool flange	M8 8-pin female, EN ISO-9409-1-50-4-M6
Connector type	M8 8-pin female
Cable length (robot arm)	6 m (236 in)
Weight including cable	33.5 kg (73.9 lbs)
Humidity	≤ 90% RH (non-condensing)

### Contact

Universal Robots A/S  
Energivej 51  
5260 Odense  
Denmark

+45 89 93 89 89  
[sales@universal-robots.com](mailto:sales@universal-robots.com)  
[universal-robots.com](http://universal-robots.com)

## Teach Pendant

### Features

IP classification	IP54
Humidity	≤ 90% RH (non-condensing)
Display resolution	1280 x 800 pixels

### Physical

Materials	Plastic
Teach pendant size (W x H x D)	300 mm x 231 mm x 50 mm (11.8 in x 9.1 in x 1.97 in)
Weight	1.6 kg (3.5 lbs) including 1 m of teach pendant cable
Cable length	4.5 m (177.17 in)

## Control Box

### Features

IP classification	IP44
Humidity	≤ 90% RH (non-condensing)
<b>I/O Ports</b>	
Digital In	16
Digital Out	16
Analog In	2
Analog Out	2
Quadrature digital inputs	4
I/O Power Supply	24V, 2A
Industrial protocols	Modbus TCP (Client/Server) Ethernet/IP Adapter PROFINET device, PROFINET safe ROS/ROS2
Hardware interfaces	Ethernet 1 Gb/s USB 2.0 USB 3.0 Mini DisplayPort Injection Moulding Machine Interface (SPI AN-146 & Euromap-67)*
Power Source	100-240 VAC, 47-440 Hz

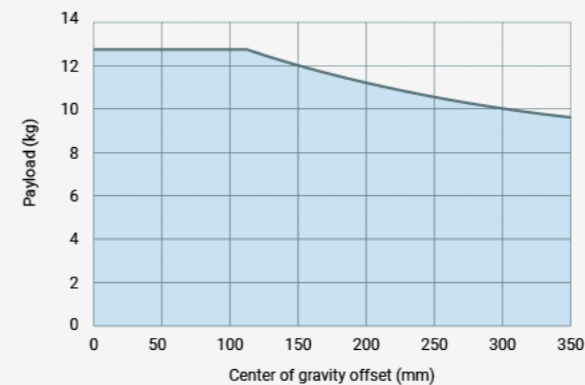
\*Only valid for OEM version.

### Physical

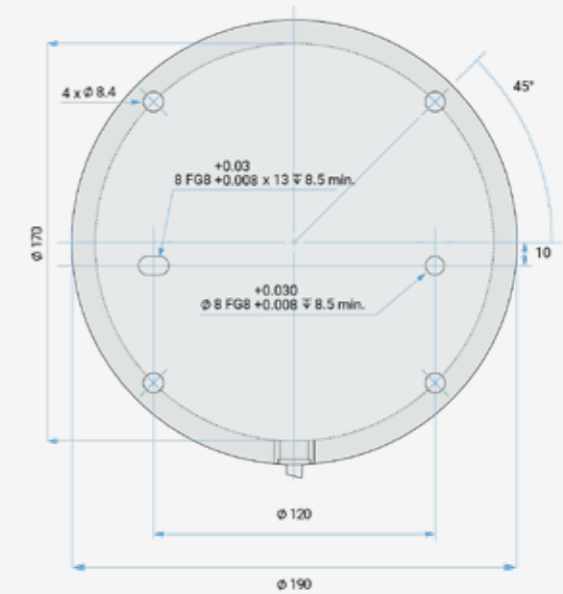
Control Box Size (W x H x D)	460 mm x 449 mm x 254 mm (18.2 in x 17.6 in x 10 in)
Weight	12 kg (26.5 lbs)
Materials	Powder coated steel

The control box is also available in an OEM version.

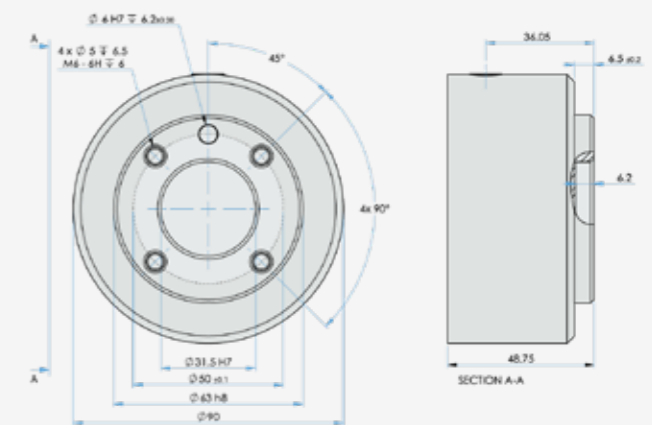
UR12e payload curve



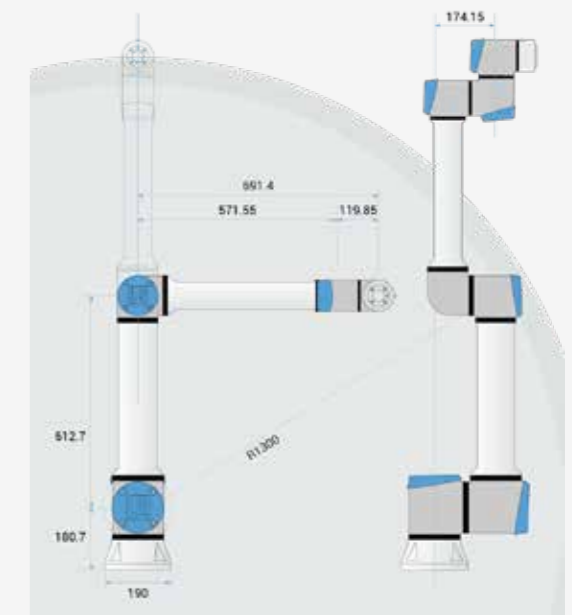
Interface for UR12e base flange



Tool flange for UR12e



Dimensions and reach UR12e



## UR12e

### General specification

Payload	12.5 kg (27.5 lbs)
Reach	1300 mm (51.2 in)
Degrees of freedom	6 rotating joints
Programming	12 inch touchscreen with PolyScope graphical user interface
<b>Power consumption (average)</b>	
Maximum power	615 W
Moderate operating settings	350 W
Operating temperature range	Ambient temperature: 0-50 °C (32-122 °F)
Safety functions	21 configurable safety functions
In compliance with	EN ISO 13849-1 (PLd Category 3), EN ISO 10218-1

## UR12e Robot Arm

### Performance

Force sensing, tool flange/torque sensor	Force, x-y-z	Torque, x-y-z
Range	± 100.0 N	± 10.0 Nm
Precision	± 5.0 N	± 0.2 Nm
Accuracy	± 5.5 N	± 0.5 Nm

### Movement

Max TCP speed	4 m/s	
Pose repeatability per ISO 9283	± 0.05 mm	
<b>Axis movement</b>		
	<b>Working range</b>	<b>Maximum speed</b>
Base	± 360°	± 120°/s
Shoulder	± 360°	± 120°/s
Elbow	± 360°	± 180°/s
Wrist 1	± 360°	± 180°/s
Wrist 2	± 360°	± 180°/s
Wrist 3	± 360°	± 180°/s